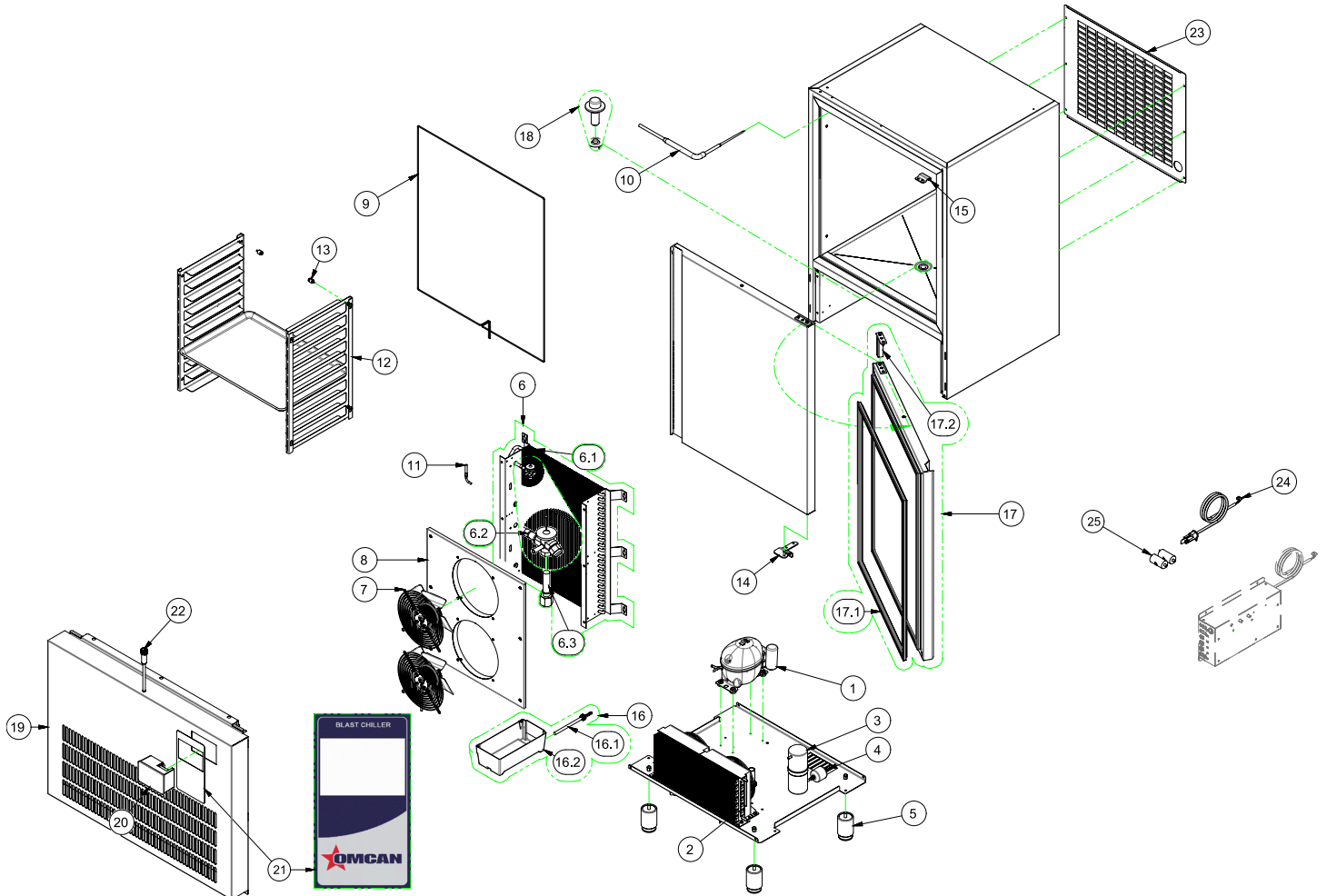


Parts Breakdown

Model BC-IT-0910-T 46674



Parts Breakdown

Model BC-IT-0910-T 46674

Item No.	Description	Position	Item No.	Description	Position	Item No.	Description	Position
64929	Compressor ASP NJ2212GK R404A for 46674	1	64931	Frame Heating Element AB10T 15W/M for 46674	9	64917	Door Magnet Gasket AB-E4-10 for 46674	17.1
AD109	Condenser for 46674	2	42110	Core Probe PTC 1000 L=3000 Gray for 46674	10	42094	Door Pivot Hinge 28L S/F-13 for 46674	17.2
AD104	Liquid Receiver for 46674	3	42109	Chamber Probe PTC L=2500 Green for 46674	11	AD100	Assembled Blast Chiller Cap for 46674	18
42103	Filter 50x6mm for 46674	4	AD111	Grid Stead for 46674	12	AD107	Dashboard for 46674	19
AD092	Adjustable Foot for 46674	5	AD097	Pin for Grid Stead for 46674	13	AD085	Electronic Card EVJ815P9PX3 for 46674	20
AD110	Evaporating Unit for 46674	6	42118	Right Inferior Hinge for 46674	14	AD086	Adhesive Mask Omcan for 46674	21
42100	Evaporator AB-05 for 46674	6.1	42116	Right Superior Hinge for 46674	15	AD087	Magnetic Microswitch for 46674	22
AD094	Thermostatic Valve for 46674	6.2	64958	Evaporation Water Tank 270W L=1500 for 46674	16	AD108	Rear Cover for 46674	23
64964	Flat Inlet TE2 N° 02 ODF for 46674	6.3	AD112	PTC Resistance 190W for 46674	16.1	AD090	Power Supply Cable for 46674	24
42111	ZHIEL Fan AB D=300 + 2COND for 46674	7	AD099	Evaporating Bowl for 46674	16.2	42113	Electric Condenser 2MF for 46674	25
AD095	Conveyor for 46674	8	64957	Foamed Door AB ECO-E4-10 DX for 46674	17			